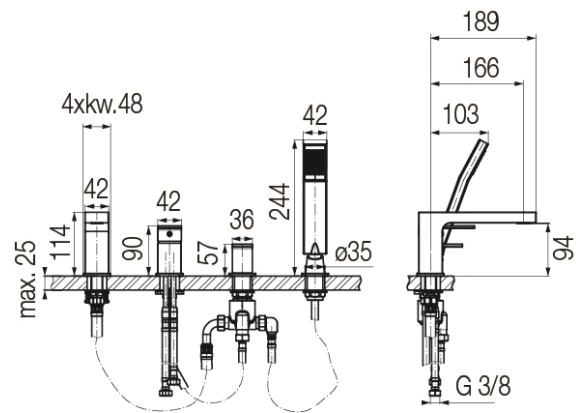


Series Ars

4-hole bath mixer with accesories



Code	Cartridge	Flow class	Hoses	EAN13
2420550	cartridge Φ 35 low	B/A	G3/8	5902273562788

Product usage:

For use in with cold and hot water systems in buildings

Type:

Bath mixers

Technical data/Operating parameters:

Recommended working pressure: 0,1-0,5 MPa,
Max temperature: 90°C

Guarantee:

25-year

Used materials:

brass

Finish:

chrome