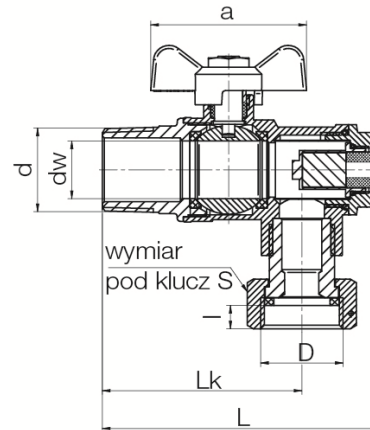


Ball valves SPIN

Full-port angle ball valve with nut on stem, aluminium butterfly handle, rotary nut, magnet and with filter (female-male version)



DN	Code	Dimensions											EAN13
		Size	D	I	dw	L	Lk	d	a	H	h	S	
20	1473790	R3/4-G3/4	G3/4	7,5	18,5	89	64	R3/4	50	40	51	31	5902273556756

Product usage:

As shut-off valves in the water supply systems for hot and cold water as well as heating (including solar) and cooling systems, where the working medium is water or water-glycol solution (up to 50%)

Type:

Angle ball valves with filter

Guarantee:

25-year

Technical data/Operating parameters:

Max pressure: 2,5 MPa,

Max temperature: 95°C

Min temperature: 0°C

Used materials:

body, nut, ball, stem, adjustable stem nut: brass;

ball and stem seal: PTFE (teflon);

lever: carbon steel with plastic coating

gasket: fibre,

filter insert: stainless steel

Finish:

body, nut: nickel; ball: chrome