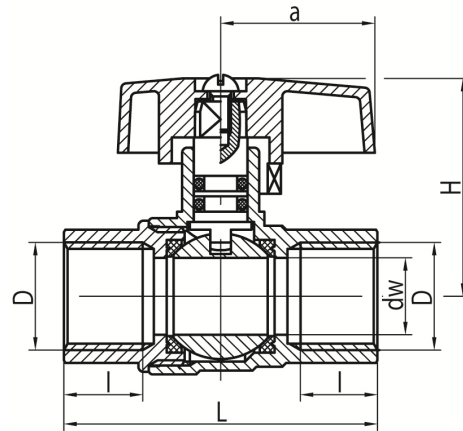


Gas ball valves ORION

Gas ball valve with aluminium butterfly handle (female-female version)



DN	Code	Dimensions							EAN13
		Size	D	l	dw	L	a	H	
15	3412070	1/2"	Rp1/2	15	15	61	30	43	5907451902554
20	3413070	3/4"	Rp3/4	16,3	20	69	30	47	5907451902561
25	3414070	1"	Rp1	19,1	25	82	40	57	5907451902578

Product usage:

For use in gas installations in buildings

Type:

Gas ball valves

Guarantee:

25-year

Technical data/Operating parameters:

MOP 5-20, T2 (od -20°C do +60°C)

Max pressure: 2,0 Mpa

Used materials:

body, nut, ball, stem: brass;

ball seal: PTFE (teflon);

stem seal: O-ring seal, rubber NBR;

butterfly handle: aluminium

Finish:

body, nut: nickel; ball: chrome