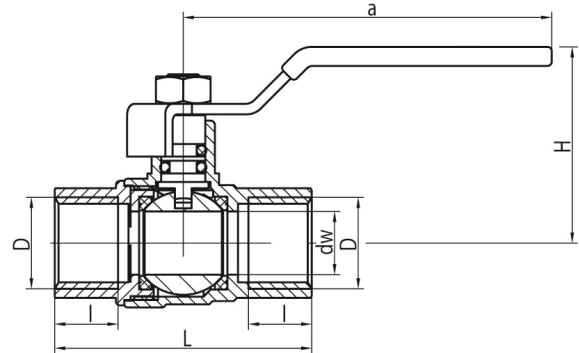


Gas ball valves ORION

Gas ball valve with steel lever (female-female version)



DN	Code	Dimensions							EAN13
		Size	D	l	dw	L	a	H	
15	3412050	1/2"	Rp1/2	15	15	61	86,5	46,5	5907451902479
20	3413050	3/4"	Rp3/4	16,3	20	69	86,5	55,5	5907451902486
25	3414050	1"	Rp1	19,1	25	82	100	60	5907451902493
32	3415030	1 1/4"	Rp1 1/4	21,4	32	95	150	75	5907451905449
40	3406030	1 1/2"	Rp1 1/2	21,4	40	105	150	81	5907451905425
50	3407030	2"	Rp2	25,7	50	127	150	91	5907451905432

Product usage:

For use in gas installations in buildings

Type:

Gas ball valves

Guarantee:

25-year

Technical data/Operating parameters:

MOP 5-20, T2 (od -20°C do +60°C)

Max pressure: 2,0 Mpa

Used materials:

body, nut, ball, stem: brass;

ball seal: PTFE (teflon);

stem seal: O-ring seal, rubber NBR;

lever: carbon steel with plastic coating.

Finish:

body, nut: nickel; ball: chrome