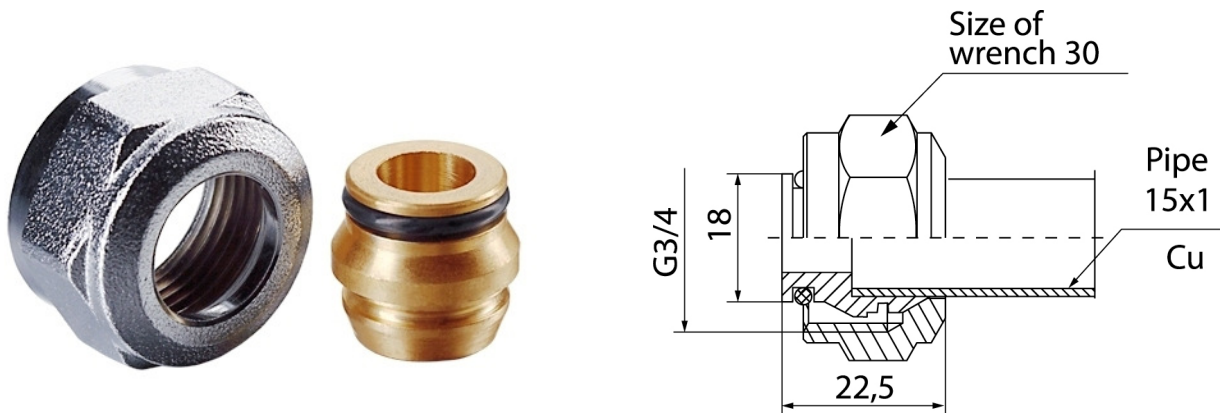


## Accessories for manifolds C.O.

### Nickel plated coupling 15Cu-G3/4/18



Code	Dimensions	EAN13
9003990	15Cu-G3/4	5907451901786

#### Product usage:

For copper pipes in hot and cold water supplies and central heating systems

#### Type:

Accessories and spare parts

#### Guarantee:

25-year

#### Technical data/Operating parameters:

Max pressure: 1,0 MPa,  
Max temperature: 90°C

#### Used materials:

nut, ring: brass;  
sealing: O-ring seal, rubber NBR

#### Finish:

nut: nickel