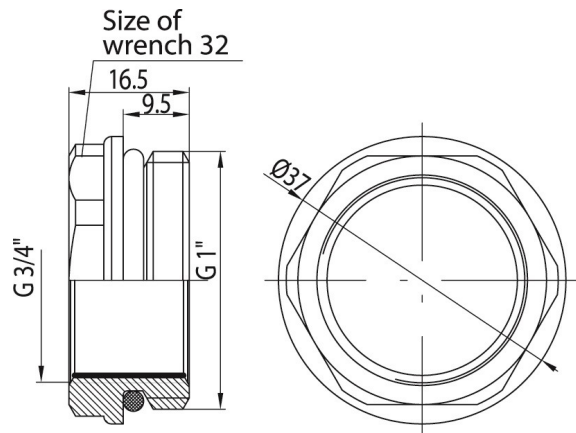


Accessories for manifolds C.O.

Reduction coupling G1-G3/4 for manifold pipe, female-male



Code	Dimensions	EAN13
6096140	1"-3/4"	5907451952276

Product usage:

For use in piping systems of cold and hot water and radiator and space central heating

Type:

Accessories and spare parts

Technical data/Operating parameters:

Max pressure: 1,0 MPa,
Max temperature: 95°C

Guarantee:

25-year

Used materials:

brass, with O-ring seal NBR

Finish:

brass