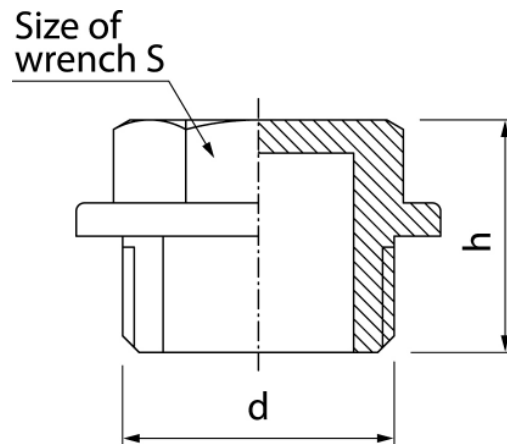


Plug TWIST

Nickel plated flanged plug



Code	Dimensions				EAN13
	Size	d	H	S	
6095450	1/2"	G1/2	17	14	5907451936795
6095460	3/4"	G3/4	19	17	5907451936801
6095470	1"	G1	21	27	5907451936818

Product usage:

In the piping systems of cold and hot water and central heating for connecting pipes with each other or with any other part of the installation

Type:

Fittings

Technical data/Operating parameters:

Max pressure: 1,0 MPa,
Max temperature: 100°C

Guarantee:

25-year

Used materials:

brass

Finish:

nickel