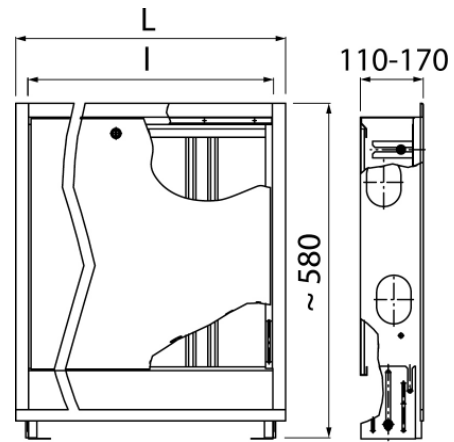


In-wall manifold cabinets

In-wall manifold cabinet



| Code | Version | Dimensions | | | EAN13 |
|---------|---------|------------|-----|-------------|---------------|
| | | L | I | No of units | |
| 6091600 | SP-0 | 380 | 335 | 2-4 | 5907451938911 |
| 6091610 | SP-1 | 480 | 435 | 5-6 | 5907451938928 |
| 6091620 | Sp-2 | 610 | 565 | 7-8 | 5907451938935 |
| 6091630 | SP-3 | 760 | 715 | 9-10 | 5907451938942 |
| 6091640 | SP-4 | 840 | 795 | 11-12 | 5907451938959 |
| 6091650 | SP-5 | 1010 | 965 | 13-14 | 5907451938966 |

Product usage:

Type:

Manifold cabinets

Guarantee:

2-year

Technical data/Operating parameters:

Used materials:

steel

Finish: