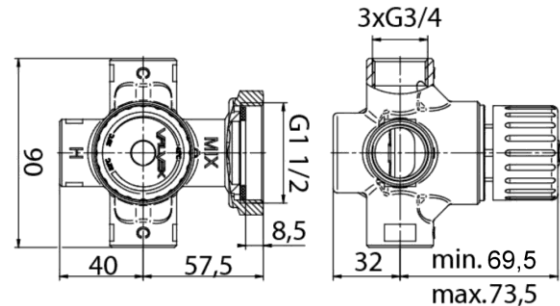


## Thermostatic valve TERMOCONTROL

Four-way thermostatic valve



DN	Code	Dimensions	EAN13
20	6070000	DN20	5902273544807

### Product usage:

For use in central heating systems

### Type:

Thermostatic valves

### Guarantee:

25-year

### Technical data/Operating parameters:

Max pressure: 1,0 MPa,  
Max temperature: 90°C

### Used materials:

body: brass,  
gaskets: EPDM,  
thermostatic cartridge Vernet  
knob: polyacetal (POM),  
end cap: ABS  
screws, springs: stainless steel

### Finish:

body: brass