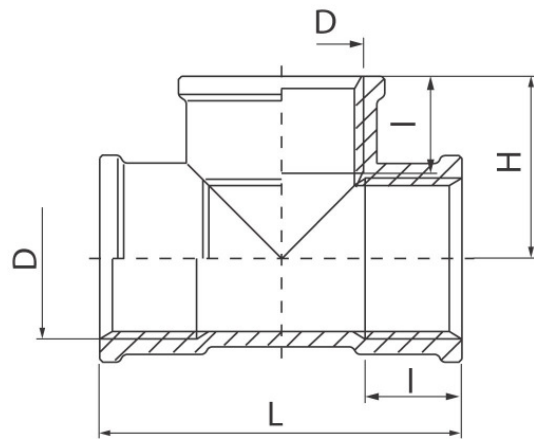


## Tee connectors TWIST

Nickel plated female tee connector



Code	Dimensions					EAN13
	Size	D	H	L	I	
6052430	1/2"	G1/2	23,5	47	12	5907451936368
6053430	3/4"	G3/4	27,5	55	13,5	5907451936412
6054430	1"	G1	32	64	15	5907451936498

### Product usage:

In the piping systems of cold and hot water and central heating for connecting pipes with each other or with any other part of the installation

### Type:

Fittings

### Technical data/Operating parameters:

Max pressure: 1,0 MPa,  
Max temperature: 100°C

### Guarantee:

25-year

### Used materials:

brass

### Finish:

nickel