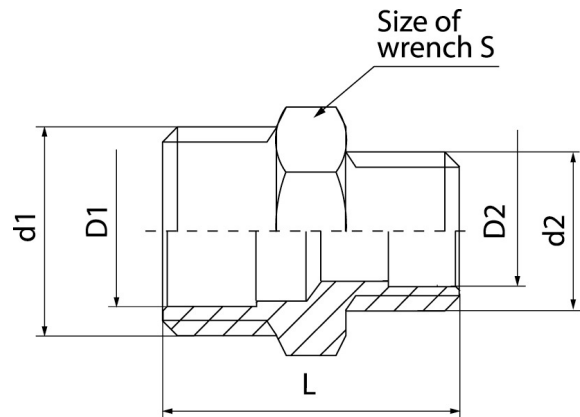


## Fittings V-PEX

Shot blasted male reduction fitting



Code	Dimensions							EAN13
	Size	d1	D1	d2	D2	L	S	
6032410	3/8"-1/2"	G1/2	14,45	G3/8	11	27,5	22	5907451936054
6033420	1/2"-3/4"	G3/4	20,3	G1/2	14,45	33,5	27	5907451902738
6034420	3/4"-1"	G1	25	G3/4	20,3	37	34	5907451902745

### Product usage:

For use in piping systems of cold and hot water and central heating for connecting of pipes with each other or with any other part of the installation.

### Type:

Fittings

### Technical data/Operating parameters:

Max pressure: 1,0 MPa,  
Max temperature: 100°C

### Guarantee:

25-year

### Used materials:

brass

### Finish:

-