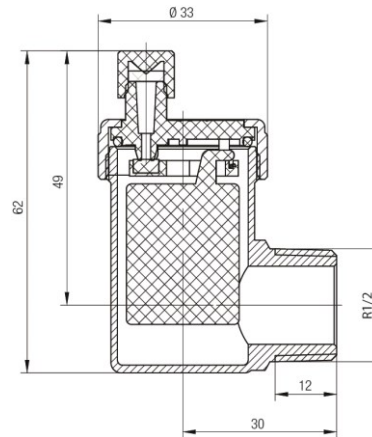


Purging valves GAMMA

Automatic purging valve



Code	Dimensions	EAN13
4700740	1/2"	5902273527268

Product usage:

For use in heating installations, where the heating medium is water or water-glycol solutions

Type:

Purging valves

Guarantee:

25-year

Technical data/Operating parameters:

Max pressure: 1,0 MPa,
Max temperature: 110°C

Used materials:

body, nut: brass;
nozzle, plate, plug: polyacetal (POM); float:
polypropylene (PP)
sealing: EPDM rubber

Finish:

body, nut: nickel