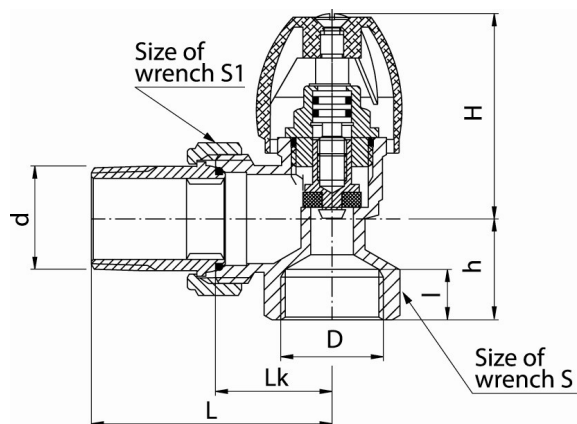


Radiator valves ACTIV

Angle nickel plated radiator valve



DN	Code	Colour	Dimensions									EAN13
			Size	D	d	L	Lk	I	H	S	S1	
10	4581050	nikiel / nickel	3/8"	Rp3/8	R3/8	49	24	10	51	22	26	5907451929995
15	4582050	nikiel / nickel	1/2"	Rp1/2	R1/2	53	26	12	52	26	30	5907451904428
20	4583050	nikiel / nickel	3/4"	Rp3/4	R3/4	63	31,5	12	52	32	37	5907451935019
15	4582250	biały / white	1/2"	Rp1/2	R1/2	53	26	12	52	26	30	5907451964385

Product usage:

For use in central heating installations

Type:

Radiator valves

Guarantee:

25-year

Technical data/Operating parameters:

Max pressure: 1,0 MPa,
Max temperature: 100°C

Used materials:

body, coupling nut, coupling end piece, disc, head
body, stem: brass;
disc, head and coupling end piece sealing: EPDM
rubber;
handwheel: ABS

Finish:

body, coupling nut, coupling end piece: nickel (white
version - powder-coated)