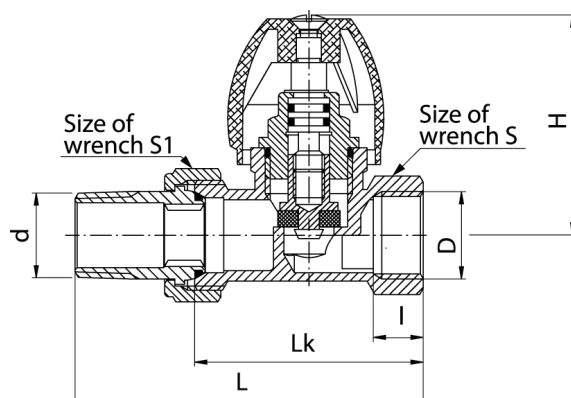


Radiator valves ACTIV

Straight nickel plated radiator valve



DN	Code	Colour	Dimensions									EAN13
			Size	D	d	L	Lk	I	H	S	S1	
10	4481050	nikiel / nickel	3/8"	Rp3/8	R3/8	75	50	10	51	22	26	5907451929896
15	4482050	nikiel / nickel	1/2"	Rp1/2	R1/2	82	55	12	52	26	30	5907451904022
20	4483050	nikiel / nickel	3/4"	Rp3/4	R3/4	96,5	65	12	53	32	37	5907451929940
15	4482250	biały / white	1/2"	Rp1/2	R1/2	82	55	12	52	26	30	5907451964378

Product usage:

For use in central heating installations

Type:

Radiator valves

Guarantee:

25-year

Technical data/Operating parameters:

Max pressure: 1,0 MPa,
Max temperature: 100°C

Used materials:

body, coupling nut, coupling end piece, disc, head
body, stem: brass;
disc, head and coupling end piece sealing: EPDM
rubber;
handwheel: ABS

Finish:

body, coupling nut, coupling end piece: nickel (white
version - powder-coated)