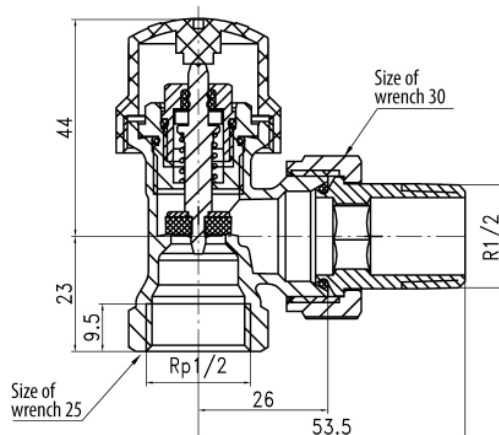


Thermostatic valves IRIS

Angle nickel plated thermostatic valve



| Code | Colour | Dimensions | EAN13 |
|---------|-----------------|------------|---------------|
| 4445610 | nikiel / nickel | 1/2" | 5907451929865 |
| 4445630 | biały / white | 1/2" | 5907451964347 |

Product usage:

For use in central heating installations

Type:

Thermostatic valves

Guarantee:

25-year

Technical data/Operating parameters:

Max pressure: 1,0 MPa,
Max temperature: 100°C

Used materials:

body, sensor, thrust ring, coupling nut, coupling end piece: brass;
pin, spring: steel; disc, sensor, pin and coupling end piece sealing: EPDM rubber;
protective cap: polyamide

Finish:

body, coupling nut, coupling end piece: nickel (white version - powder-coated)