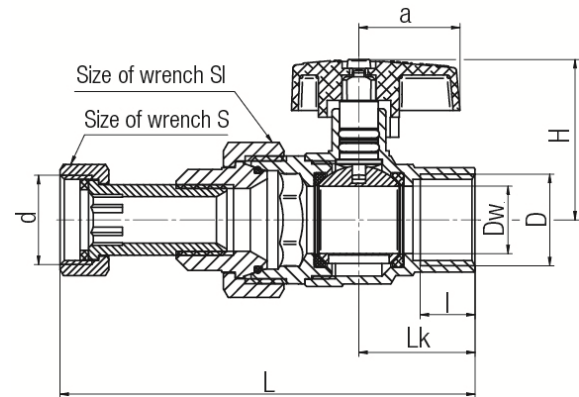


## Gas ball valves ORION

Gas ball valve with steel lever and swivel nut (female-female version)



| DN | Code    | Dimensions |       |      |    |     |      |      |    |    |    |    | EAN13         |
|----|---------|------------|-------|------|----|-----|------|------|----|----|----|----|---------------|
|    |         | Size       | D     | I    | dw | L   | Lk   | d    | a  | H  | S  | S1 |               |
| 15 | 3402100 | G1/2-Rp1/2 | Rp1/2 | 15,0 | 15 | 123 | 30,5 | G1/2 | 30 | 43 | 24 | 34 | 5902273544791 |
| 20 | 3403100 | G3/4-Rp3/4 | Rp3/4 | 16,3 | 20 | 123 | 34,5 | G3/4 | 30 | 48 | 30 | 42 | 5902273545910 |

### Product usage:

For use in gas installations in buildings

### Type:

Gas ball valves

### Guarantee:

25-year

### Technical data/Operating parameters:

MOP 5, T2 (from -20°C to +60°C)

Max pressure: 0,5 Mpa

### Used materials:

body, connector, nuts, ball, stem: brass;

ball seal: PTFE (teflon);

stem seal: O-ring seal, rubber NBR;

butterfly handle: aluminium alloy

### Finish:

body, connector, nuts: nickel; ball: chrome