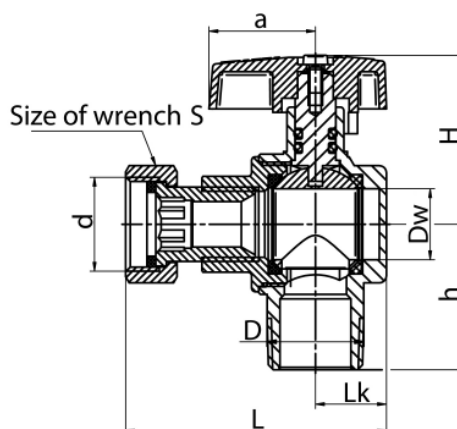


Gas ball valves ORION

Angle gas ball valve with steel lever and swivel nut (female-female version)



DN	Code	Dimensions										EAN13
		Size	D	L	Dw	Lk	d	a	H	h	S	
15	3402080	G1/2-R1/2	R1/2	67	15	16	G1/2	30	43	35	24	5902273546719
20	3403080	G3/4-R3/4	R3/4	74	20	20	G3/4	30	48	41	30	5902273546726

Product usage:

For use in gas installations in buildings

Type:

Gas ball valves

Guarantee:

25-year

Technical data/Operating parameters:

Type: DN15 - 0208, DN20 - 0308
 MOP 5, T2 (from -20°C to +60°C)
 Max pressure: 0,5 Mpa

Used materials:

body, connector, nuts, ball, stem: brass;
 ball seal: PTFE (teflon);
 stem seal: O-ring seal, rubber NBR;
 butterfly handle: aluminium alloy

Finish:

body, connector, nuts: nickel; ball: chrome