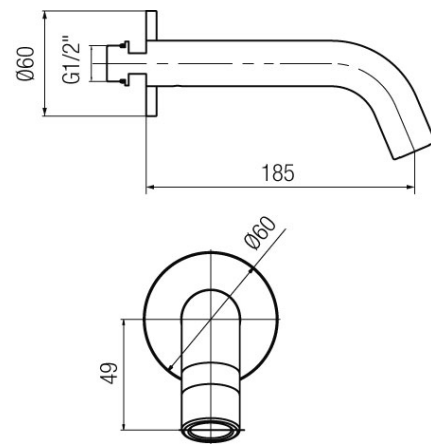


Series Round

Wall-mounted bathtub spout



Code	EAN13
2455520	5902273531722

Product usage:

For use in with cold and hot water systems in buildings

Type:

Spouts

Guarantee:

2-year

Technical data/Operating parameters:

Recommended working pressure: 0,1-0,5 MPa,
Max temperature: 90°C

Used materials:

brass

Finish:

chrome