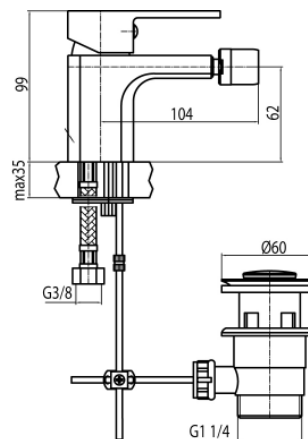


Series Loft

Bidet mixer with manual pop-up drain



Code	Cartridge	Flow class	Hoses	EAN13
2454950	cartridge Φ 35 high	Z	G3/8	5907451969953
2454951	cartridge Φ 35 high	Z	G1/2	5907451986912

Product usage:

For use in with cold and hot water systems in buildings

Type:

Bidet mixers

Technical data/Operating parameters:Recommended working pressure: 0,1-0,5 MPa,
Max temperature: 90°C**Guarantee:**

25-year

Used materials:

brass

Finish:

chrome