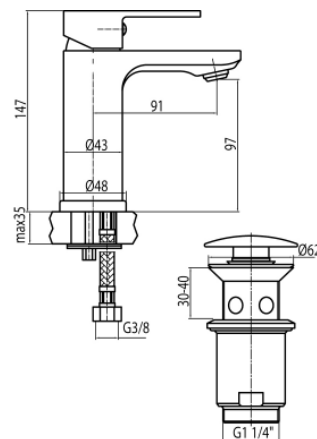


Series Tube

Washbasin mixer with pop-up drain



Code	Cartridge	Flow class	Hoses	EAN13
2454800	cartridge Ø35 high	Z	G3/8	5907451969885
2454801	cartridge Ø35 high	Z	G1/2	5907451982761

Product usage:

For use in with cold and hot water systems in buildings

Type:

Washbasin mixers

Guarantee:

25-year

Technical data/Operating parameters:Recommended working pressure: 0,1-0,5 MPa,
Max temperature: 90°C**Used materials:**

brass

Finish:

chrome