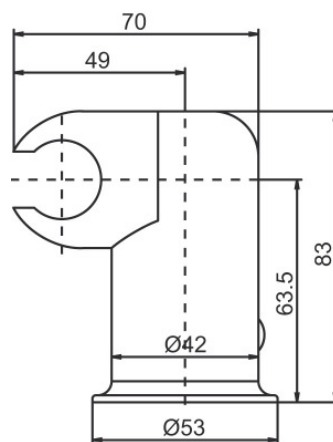


Accessories and spare parts

Fixed grip for hand shower



| Code | EAN13 |
|---------|---------------|
| 2449400 | 5907451924341 |

Product usage:

For bath and shower mixers of VALVEX production

Type:

Fixed grips

Guarantee:

2-year

Technical data/Operating parameters:

-

Used materials:

ABS plastic

Finish:

chrome