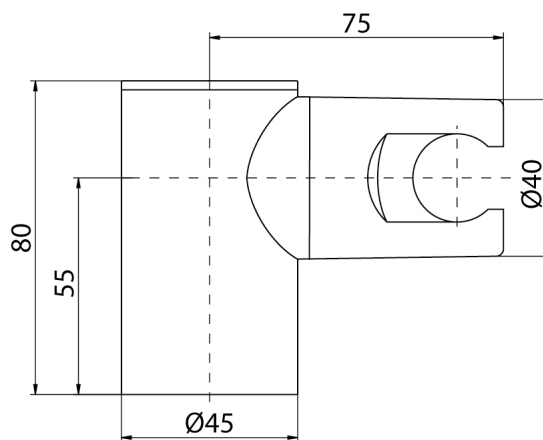


**Accessories and spare parts**

## Fixed grip for hand shower



Code	EAN13
2449380	5907451924389

**Product usage:**

For bath and shower mixers of VALVEX production

**Type:**

Fixed grips

**Guarantee:**

2-year

**Technical data/Operating parameters:****Used materials:**

ABS plastic

**Finish:**

chrome