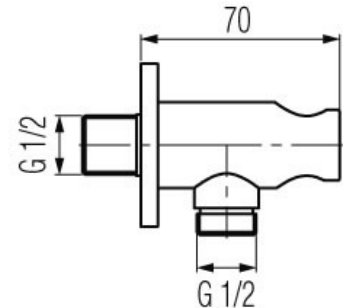
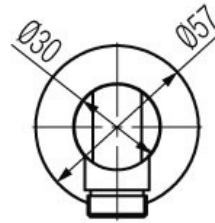


**Series Round Plus**

## Water inlet angle valve



Code	EAN13
2448310	5907451972991

**Product usage:**

For use in with cold and hot water systems in buildings

**Type:**

Water inlet angle valves

**Guarantee:**

2-year

**Technical data/Operating parameters:**

Max pressure: 0,5 MPa,  
Max temperature: 70°C

**Used materials:**

brass

**Finish:**

chrome