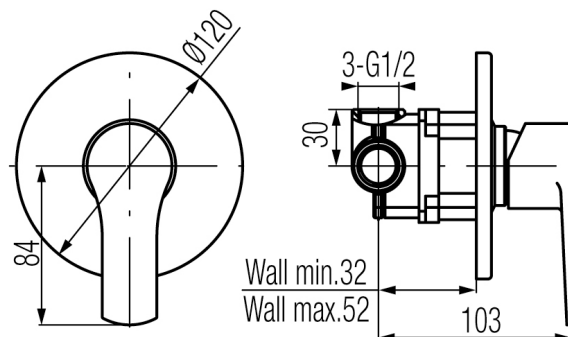


Series Dali

Concealed shower mixer



Code	Cartridge	Flow class	Connection	EAN13
2447260	cartridge Φ 35 low	B	G1/2	5902273510147

Product usage:

For use in with cold and hot water systems in buildings

Type:

Shower mixers

Guarantee:

25-year

Technical data/Operating parameters:

Recommended working pressure: 0,1-0,5 MPa,
Max temperature: 90°C

Used materials:

brass

Finish:

chrome