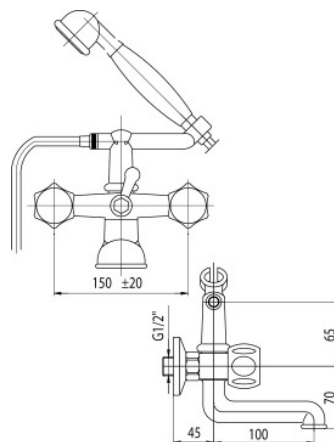


Series Class

Wall mounted bath mixer with accessories



Code	Cartridge	Flow class	Connection	EAN13
2446030	slider valve head	B/B	G1/2	5907451909027

Product usage:

For use in with cold and hot water systems in buildings

Type:

Bath mixers

Guarantee:

25-year

Technical data/Operating parameters:Recommended working pressure: 0,1-0,5 MPa,
Max temperature: 90°C**Used materials:**

brass

Finish:

chrome