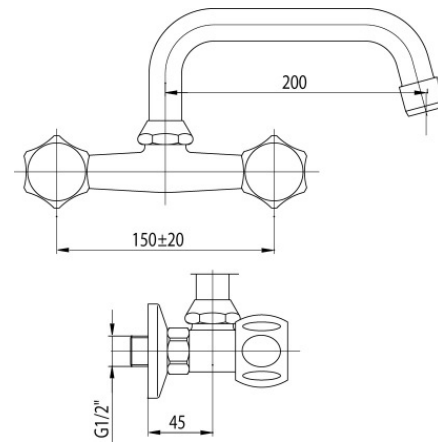


Series Class

Wall mounted washbasin mixer



Code	Cartridge	Flow class	Connection	EAN13
2446010	slider valve head	A	G1/2	5907451908990

Product usage:

For use in with cold and hot water systems in buildings

Type:

Washbasin mixers

Technical data/Operating parameters:Recommended working pressure: 0,1-0,5 MPa,
Max temperature: 90°C**Guarantee:**

25-year

Used materials:

brass

Finish:

chrome