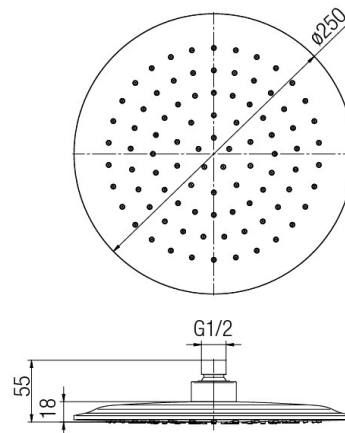


Series Dione BlackShower head \varnothing 250mm

Code	Flow class	EAN13
2445960	A	5902273547105

Product usage:

For use in with cold and hot water systems in buildings

Type:

Shower heads

Guarantee:

2-year

Technical data/Operating parameters:Max pressure: 0,5 MPa,
Max temperature: 70°C**Used materials:**

ABS plastic

Finish:

matt black