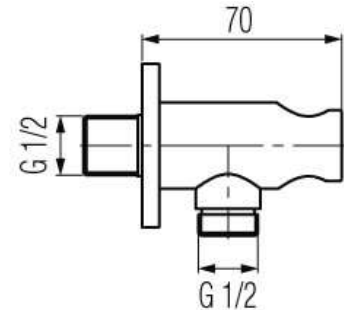
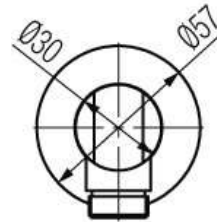


**Series Round Plus Black**

Water inlet angle valve



Code	EAN13
2444670	5902273545507

**Product usage:**

For use in with cold and hot water systems in buildings

**Type:**

Water inlet angle valves

**Guarantee:**

2-year

**Technical data/Operating parameters:**Max pressure: 0,5 MPa,  
Max temperature: 70°C**Used materials:**

brass

**Finish:**

matt black