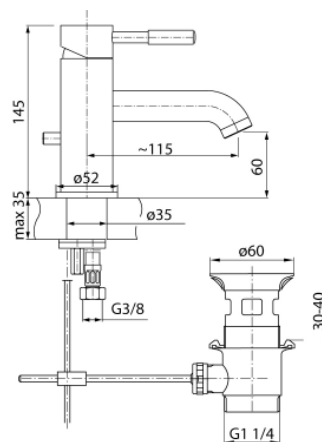


## Series Vegane Nero

Washbasin mixer with manual pop-up drain



Code	Cartridge	Flow class	Hoses	EAN13
2423310	cartridge $\Phi$ 35 low	Z	G3/8	5907451939437
2423710	cartridge $\Phi$ 35 low	Z	G1/2	5907451961674

**Product usage:**

For use in with cold and hot water systems in buildings

**Type:**

Washbasin mixers

**Guarantee:**

25-year

**Technical data/Operating parameters:**Recommended working pressure: 0,1-0,5 MPa,  
Max temperature: 90°C**Used materials:**

brass

**Finish:**

chrome/black