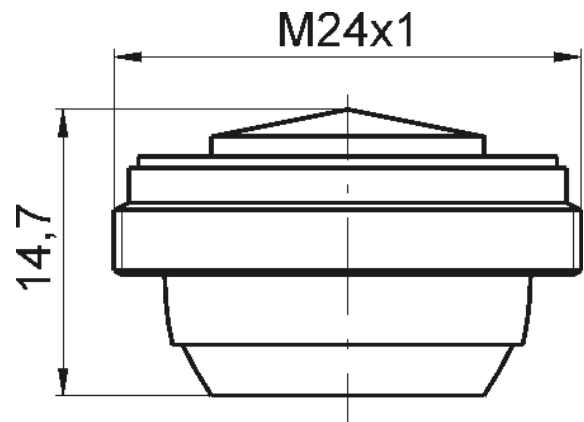


**Series Eco Plus**

## Aerator ECO PLUS 24x1



Code	EAN13
2403520	5907451974537

**Product usage:**

For use in with cold and hot water systems in buildings as spare part

**Type:**

Aerators

**Guarantee:**

2-year

**Technical data/Operating parameters:**

Class Z (less than 5,7 L/min)

**Used materials:**

POM, NBR

**Finish:**

-