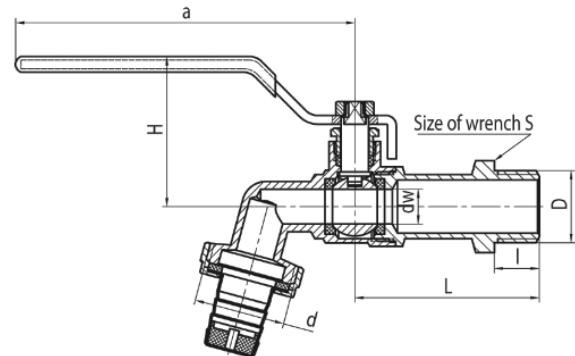


Ball valves OLIGO

Nickel plated bib-cock valve with nut on stem and steel lever



DN	Code	Dimensions									EAN13
		Size	D	I	dw	L	a	H	S	d	
25	1594200	1"	G1	15	14,5	68	110	53	35	G1 1/4	5907451957936

Product usage:

In cold and hot water systems and central heating systems as shut off valves

Type:

Bib-cocks valves

Guarantee:

25-year

Technical data/Operating parameters:

Max pressure: 1,0 MPa,
Max temperature: 65°C

Used materials:

body, nut, ball, stem, adjustable stem nut, union nut: brass;
ball and stem seal: PTFE (teflon);
end piece seal: flat seal EPDM;
end piece: stainless steel and ABS;
lever: carbon steel with plastic coating

Finish:

body, nut: nickel; ball: chrome