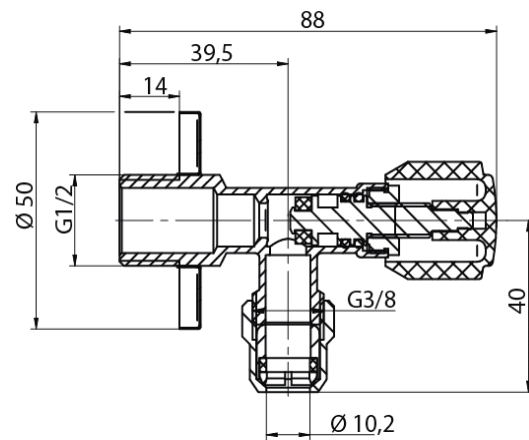


Angled valve BASE

Chrome plated angle valve with slide head and nut



Code	Dimensions	EAN13
1484080	1/2"-3/8"-fi10	5902273515883

Product usage:

For use in with cold and hot water systems in buildings

Type:

Angle valves with slide head

Guarantee:

5-year

Technical data/Operating parameters:

Max pressure: 1,0 MPa,

Max temperature: 90°C

Used materials:

body, nut, compressio ring, head body, stem,

disc: brass;

rosette: stainless steel;

nut and disc seal: EPDM rubber;

slide head seal: O-ring seal;

handle: ABS

Finish:

body, nut, handle: chrome