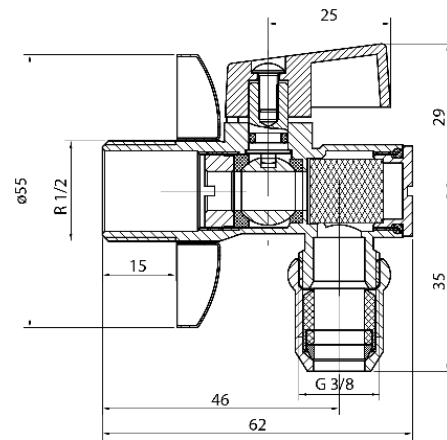


**Angled ball valves ANGEL PLUS**

Chrome plated angle ball valve with filter and nut (for mixer connection)



Code	Dimensions	EAN13
1482980	1/2"-3/8"-M10	5907451907894

**Product usage:**

In cold and hot water systems and central heating systems as shut off valves

**Type:**

Angle ball valves

**Guarantee:**

25-year

**Technical data/Operating parameters:**

Max pressure: 1,0 MPa,  
Max temperature: 90°C

**Used materials:**

body, plug, screw, ball, pin, nut,  
compression ring: brass;  
rosette: stainless steel;  
ball seal: PTFE (teflon);  
pin and plug seal: O-ring seal, rubber NBR;  
nut seal: EPDM rubber;  
metal handle;  
filter insert: stainless steel

**Finish:**

body, handle: chrome