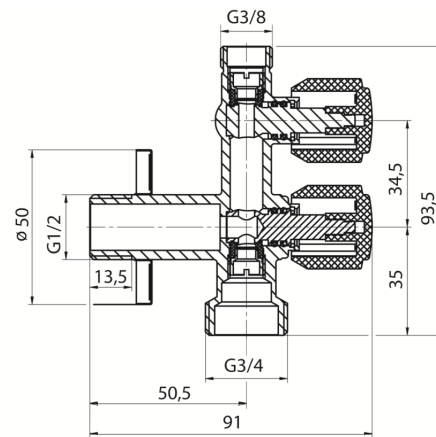


Ball valves EKO DUO

Angle valve 1/2"-3/8"-3/4", chrome



Code	Dimensions	EAN13
1482090	1/2"-3/8"-3/4"	5902273545279

Product usage:

In cold and hot water systems and central heating installations as shut off valves

Type:

Angle valves

Guarantee:

25-year

Technical data/Operating parameters:

Max pressure: 1,0 MPa,
Max temperature: 65°C

Used materials:

body, ball with stem: brass;
rosette: stainless steel;
seal housing: polyacetal (POM);
ball with stem and housing seal: rubber seal NBR;
handle: ABS

Finish:

body, handle: chrome