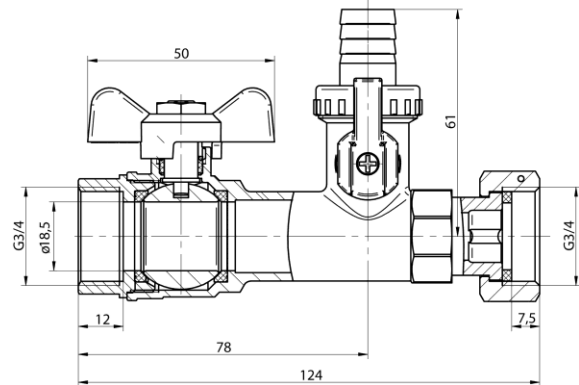
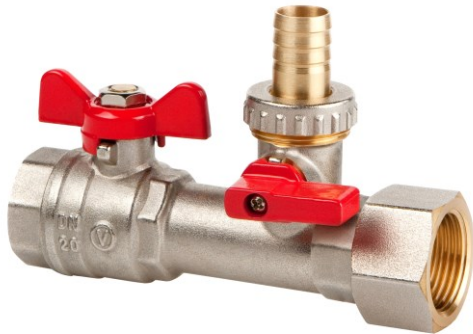


**Ball valves SPIN**

Full-port ball valve with nut on stem, aluminium red butterfly handle, rotary nut and drain valve (female-female version)



DN	Code	Dimensions	EAN13
20	1473980	G3/4-G3/4	5902273543831

**Product usage:**

In the water supply systems for hot and cold water, heating systems, systems with glycol water solution as shut-off valves to open and close the flow.

**Type:**

Straight ball valves

**Guarantee:**

25-year

**Technical data/Operating parameters:**

Max pressure: 2,5 MPa,

Max temperature (at 1,0 MPa): 95°C

**Used materials:**

body, nut, ball, stem, adjustable stem nut: brass;

ball and stem seal: PTFE (teflon);

butterfly handle: aluminium alloy

gasket: fibre

end piece: brass

**Finish:**

body, nut: nickel; ball: chrome