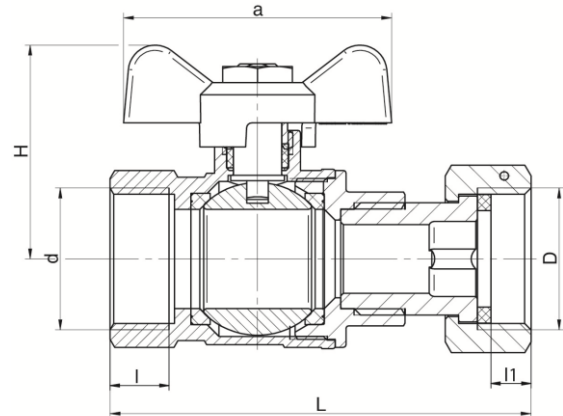
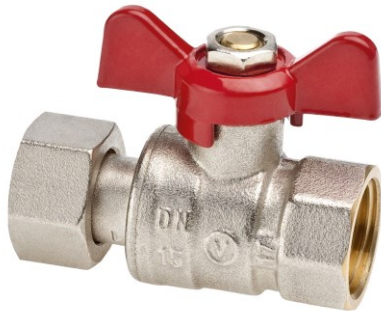


Ball valves SPIN

Full-port ball valve with nut on stem, aluminium butterfly handle and rotary nut (female-female version)



Code	Dimensions							EAN13
	Size	d	D	dw	L	a	H	
1472920	G1/2-G1/2	G1/2	G1/2	13,5	65,5	50	37	5902273534778
1472960	G1/2-G3/4	G1/2	G3/4	13,5	71	50	37	5902273534730
1473920	G3/4-G3/4	G3/4	G3/4	18,5	78,5	50	40	5902273543824
1473960	G3/4-G1	G3/4	G1	18,5	79,5	50	40	5902273534754

Product usage:

In the water supply systems for hot and cold water, heating systems, systems with glycol water solution as shut-off valves to open and close the flow.

Type:

Straight ball valves

Guarantee:

25-year

Technical data/Operating parameters:

Max pressure: 2,5 MPa,

Max temperature (at 1,0 MPa): 95°C

Used materials:

body, nut, ball, stem, adjustable stem nut: brass;

ball and stem seal: PTFE (teflon);

butterfly handle: aluminium alloy

gasket: fibre

Finish:

body, nut: nickel; ball: chrome