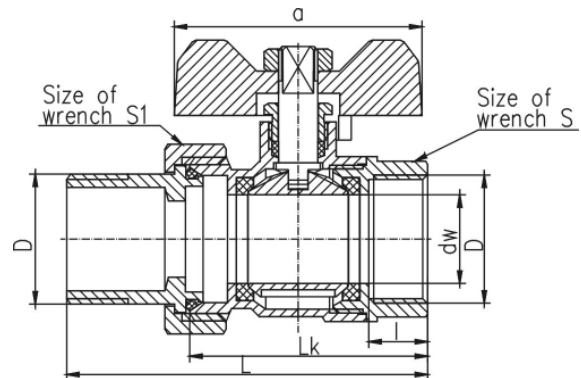


## Ball valves ORO

Ball valve with nut on stem, with tail piece and aluminium butterfly handle



DN	Code	Dimensions										EAN13
		Size	D	L	dw	L	Lk	a	H	S	S1	
15	1472680	1/2"	G1/2	11	13,5	62,5	40,5	50	38,5	24	29	5907451964781
20	1473680	3/4"	G3/4	12	18	73,5	48,5	50	40,5	30	37	5907451964798
25	1474680	1"	G1	14	22	85	57	63	49	37	47	5907451964804

### Product usage:

In the water supply systems for hot and cold water, heating systems, systems with glycol water solution as shut-off valves to open and close the flow.

### Type:

Straight ball valves

### Guarantee:

25-year

### Technical data/Operating parameters:

Max pressure: 1,6 MPa,  
Max temperature: 120°C

### Used materials:

body, nut, ball, stem, union nut, union end piece,  
adjustable stem nut: brass;  
ball and stem seal: PTFE (teflon);  
butterfly handle: aluminium alloy

### Finish:

body, nut: nickel; ball: chrome