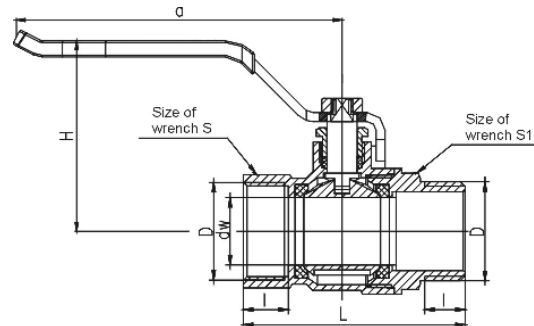


## Ball valves ORO

Ball valve with nut on stem and steel lever (female-male version)



DN	Code	Dimensions									EAN13
		Size	D	I	dw	L	a	H	S	S1	
15	1472640	1/2"	G1/2	11	13,5	52	90	49	24	22	5907451964729
20	1473640	3/4"	G3/4	12	18	58	90	52	30	28	5907451964736
25	1474640	1"	G1	14	22	70	110	59	37	35	5907451964743

### Product usage:

In the water supply systems for hot and cold water, heating systems, systems with glycol water solution as shut-off valves to open and close the flow.

### Type:

Straight ball valves

### Technical data/Operating parameters:

Max pressure: 1,6 MPa,  
Max temperature: 120°C

### Guarantee:

25-year

### Used materials:

body, nut, ball, stem, adjustable stem nut: brass;  
ball and stem seal: PTFE (teflon);  
lever: carbon steel with plastic coating

### Finish:

body, nut: nickel; ball: chrome