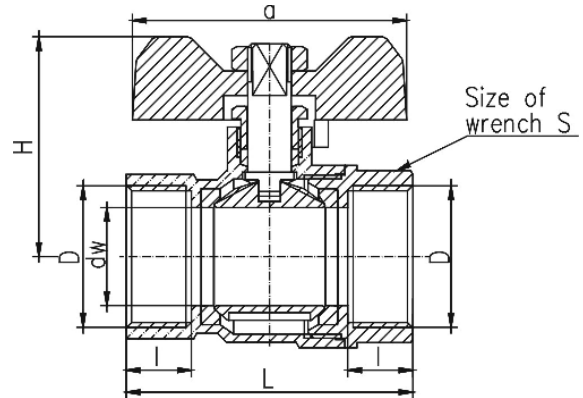


Ball valves ORO

Ball valve with nut on stem and with aluminium butterfly handle (female-female version)



| DN | Code | Dimensions | | | | | | | | EAN13 |
|----|---------|------------|------|----|------|----|----|------|----|---------------|
| | | Size | D | I | dw | L | a | H | S | |
| 15 | 1472620 | 1/2" | G1/2 | 11 | 13,5 | 45 | 50 | 38,5 | 24 | 5907451964699 |
| 20 | 1473620 | 3/4" | G3/4 | 12 | 18 | 53 | 50 | 40,5 | 30 | 5907451964705 |
| 25 | 1474620 | 1" | G1 | 14 | 22 | 62 | 63 | 49 | 37 | 5907451964712 |

Product usage:

In the water supply systems for hot and cold water, heating systems, systems with glycol water solution as shut-off valves to open and close the flow.

Type:

Straight ball valves

Technical data/Operating parameters:

Max pressure: 1,6 MPa,
Max temperature: 120°C

Guarantee:

25-year

Used materials:

body, nut, ball, stem, adjustable stem nut: brass;
ball and stem seal: PTFE (teflon);
butterfly handle: aluminium alloy

Finish:

body, nut: nickel; ball: chrome