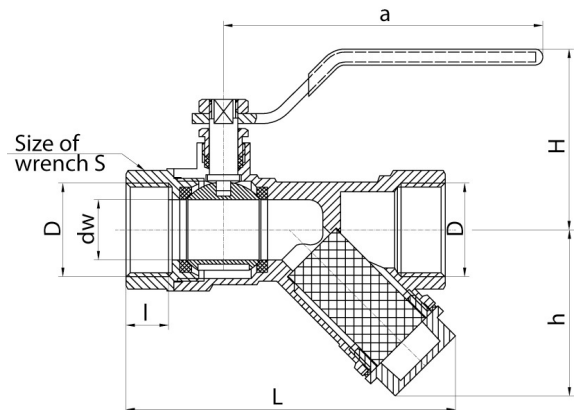


4 S^mhS^hW^e OPTI

Shot blasted ball valve with filter and nut on stem



DN	5 odW	6 [W e [a` e									EAN13
		E [I W	D	I	dw	L	a	H	h	S	
15	1470020	1/2"	G1/2	13	15	84	90	50,5	38	25	5907451926741
20	1470030	3/4"	G3/4	13	17	93	90	52	47	30	5907451926758
25	1470040	1"	G1	14,5	22	105	105	61,5	50	38	5907451926765

BdVgUf geSYW

In cold and hot water systems and central heating systems as shut off valves

HndY. Straight ball valves with filter

Gwarancja:

25-year

HYW b]WU`XUUCdYfU]b[`dUfUa YHfg.

Max pressure: 2,5 MPa, Max temperature: 95°C

I gYX`a UHf]Ug:

body, nut, plug, ball, stem, adjustable stem nut: brass;
 ball and stem seal: PTFE (teflon);
 lever: carbon steel with plastic coating

:]b]g\ .

body, nut: nickel; ball: chrome