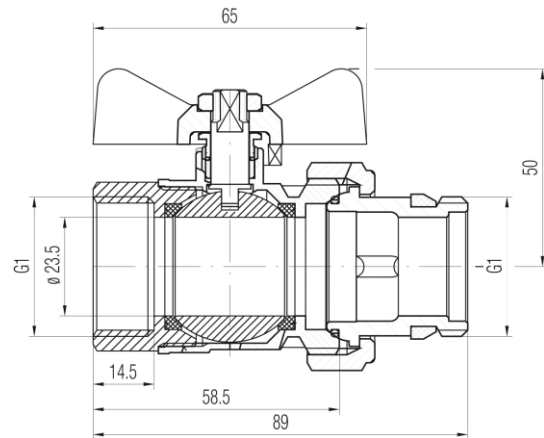


## Accessories for manifolds C.O.

Ball valve for water with tail piece, ONYX BASE DN25-PN10-MAI



Code	Dimensions	EAN13
1454140	1"	5902273539537

### Product usage:

In cold and hot water systems and central heating systems as shut off valves

### Type:

Accessories and spare parts

### Guarantee:

25-year

### Technical data/Operating parameters:

Max pressure: 1,0 MPa,  
Max temperature: 95°C

### Used materials:

body, nut, ball, stem, union nut, union end piece,  
adjustable stem nut: brass;  
ball and stem seal: PTFE (teflon);  
butterfly handle: aluminium alloy

### Finish:

body, nut: nickel; ball: chrome