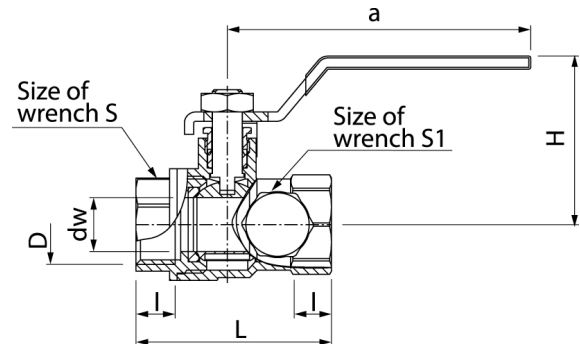


## Ball valves ONYX with plug and drain valve

Ball valve with plug, drain valve, with nut on stem and steel lever



DN	Code	Dimensions									EAN13
		Size	D	I	dw	L	a	H	S	S1	
15	1452650	1/2"	G1/2	10,5	15	53	81,5	45	25	17	5907451951682
20	1453650	3/4"	G3/4	11,5	19	60	104	48	31	17	5907451951811
25	1454650	1"	G1	12	25	70	104	57	38	17	5907451951842
32	1455650	1 1/4"	G1 1/4	13	31	80	120	67,5	47	17	5907451951873
40	1456650	1 1/2"	G1 1/2	14	40	91	120	73	54	17	5907451951880
50	1457650	2"	G2	16	50	107	142	87,5	66	17	5907451951897

### Product usage:

In cold and hot water systems and central heating systems as shut off valves

### Type:

Straight ball valves with drain valve

### Technical data/Operating parameters:

Max pressure:  
 DN15 - DN25: 2,5 MPa  
 DN32 - DN50: 1,6 MPa  
 Max temperature: 95°C

### Guarantee:

25-year

### Used materials:

body, nut, ball, stem, adjustable stem nut, plug, drain body, stem with handwheel and disc: brass;  
 ball and pin seal: PTFE (teflon);  
 plug seal, disc seal, drain body seal: O-ring seal, EPDM rubber;  
 lever: carbon steel with plastic coating

### Finish:

body, nut: nickel; ball: chrome