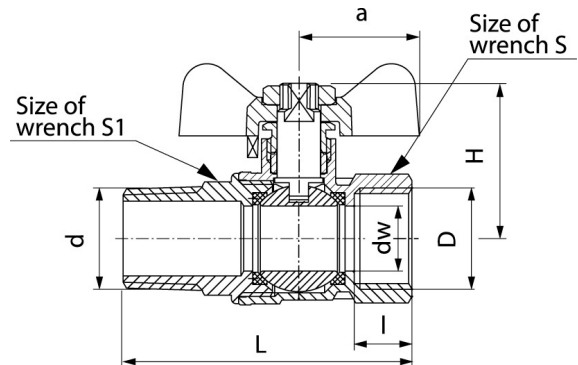


Ball valves ONYX

Full-port ball valve with nut on stem and aluminium butterfly (female-male version)



DN	Code	Dimensions										EAN13
		Size	D	I	dw	L	d	a	H	S	S1	
10	1451480	3/8"	G3/8	10	10	50,5	R3/8	25	34	21	18	5907451978078
15	1452480	1/2"	G1/2	12	13,5	60	R1/2	25	36	25	22	5907451933190
20	1453480	3/4"	G3/4	12	18,5	68	R3/4	25	40	31	28	5907451933268
25	1454480	1"	G1	14,5	23,5	79	R1	32,5	47	38	35	5907451933336

Product usage:

In the water supply systems for hot and cold water, heating systems, solar systems with glycol water solution as shut-off valves to open and close the flow.

Type:

Straight ball valves

Technical data/Operating parameters:

Max pressure: 4,0 MPa
Max temperature: 180°C

Guarantee:

25-year

Used materials:

body, nut, ball, stem, adjustable stem nut: brass;
ball and stem seal: PTFE (teflon);
butterfly handle: aluminium alloy

Finish:

body, nut: nickel; ball: chrome