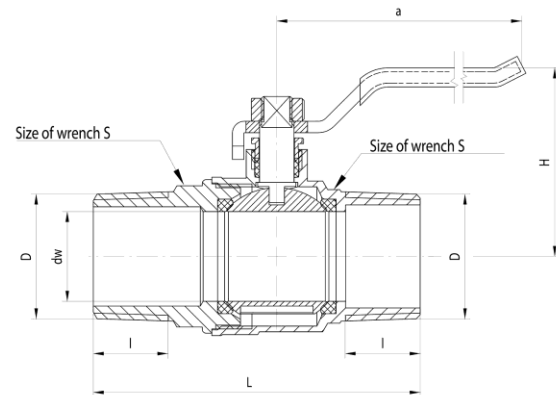


Ball valves ONYX

Full-port ball valve with nut on stem and steel lever (male-male version)



DN	Code	Dimensions								EAN13
		Size	D	I	dw	L	a	H	S	
15	1452470	1/2"	R1/2	14,0	13,5	67,5	90	42	23	5907451978702
20	1453470	3/4"	R3/4	16,5	18,5	75,0	90	46	28	5907451978726
25	1454470	1"	R1	19,0	23,5	86,5	110	50	35	5907451978740

Product usage:

In the water supply systems for hot and cold water, heating systems, solar systems with glycol water solution as shut-off valves to open and close the flow.

Type:

Straight ball valves

Guarantee:

25-year

Technical data/Operating parameters:

Max pressure: 4,0 MPa,
Max temperature: 180°C

Used materials:

body, nut, ball, stem, adjustable stem nut: brass;
ball and stem seal: PTFE (teflon);
lever: carbon steel with plastic coating

Finish:

body, nut: nickel; ball: chrome