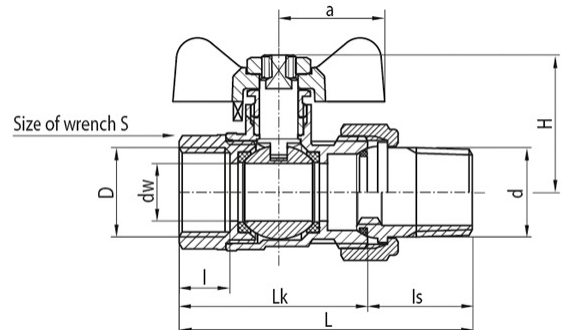


## Ball valves ONYX

Full-port ball valve with nut on stem, with tail piece and aluminium butterfly handle



DN	Code	Dimensions											EAN13
		Size	D	l	dw	L	Lk	d	a	H	S	S1	
15	1452440	1/2"	G1/2	12	13,5	69	44,5	R1/2	25	36,5	25	30	5907451933176
20	1453440	3/4"	G3/4	12	18,5	77,5	55	R3/4	25	40	31	37	5907451933244
25	1454440	1"	G1	14,5	23,5	88,5	58,5	R1	32,5	50	38	46	5907451933312

### Product usage:

In the water supply systems for hot and cold water, heating systems, solar systems with glycol water solution as shut-off valves to open and close the flow.

### Type:

Straight ball valves

### Guarantee:

25-year

### Technical data/Operating parameters:

Max pressure: 4,0 MPa  
Max temperature: 180°C

### Used materials:

body, nut, ball, stem, union nut, union end piece, adjustable stem nut: brass;  
ball and stem seal: PTFE (teflon);  
butterfly handle: aluminium alloy

### Finish:

body, nut: nickel; ball: chrome