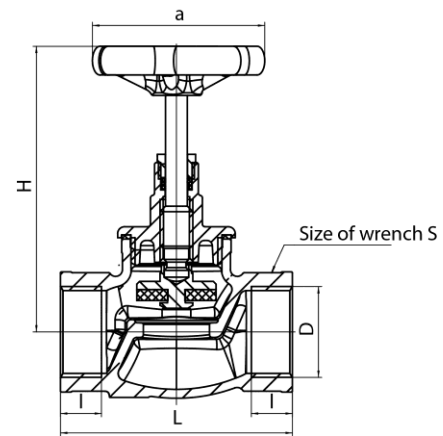


Globe valves VIKING

Malleable Cast iron globe valve (M 83)



DN	Code	Dimensions							EAN13
		Size	D	L	I	H	a	S	
15	1292150	1/2"	G1/2	61	12	72-76	50	27	5902273534631
20	1293150	3/4"	G3/4	70	13	84-90	50	31	5902273534662
25	1294150	1"	G1	85	15	92-106	65	40	5902273534686
32	1295150	1 1/4"	G1 1/4	102	15	120-132	80	49	5902273534693
40	1296150	1 1/2"	G1 1/2	114	16	140-151	80	57	5902273534709
50	1297150	2"	G2	142	18	155-177	120	69	5902273534716

Product usage:

For use in with cold and hot water systems

Type:

Cast iron globe valves

Guarantee:

25-year

Technical data/Operating parameters:

Max pressure: 1,0 MPa,
Max temperature: 100°C

Used materials:

valve body: malleable cast iron;
head body, stem, disc, adjustable stem nut: brass;
handwheel: cast iron;
valve disc seal: rubber;
adjustable stem nut seal: EPDM rubber;
valve head seal: fibre

Finish:

body: zinc plated