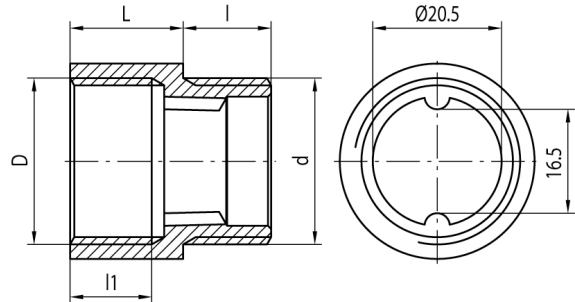


Extension fittings TWIST

Shot blasted extension fitting, 20M



Code	Version	Dimensions					EAN13
		D	d	L	l	l1	
0200130	20M-L20	G3/4	G3/4	20	12	15	5907451900222

Product usage:

In the piping systems of cold and hot water and central heating for connecting pipes with each other or with any other part of the installation

Type:

Fittings

Technical data/Operating parameters:

Max pressure: 1,0 MPa,
Max temperature: 100°C

Guarantee:

25-year

Used materials:

brass

Finish:

brass