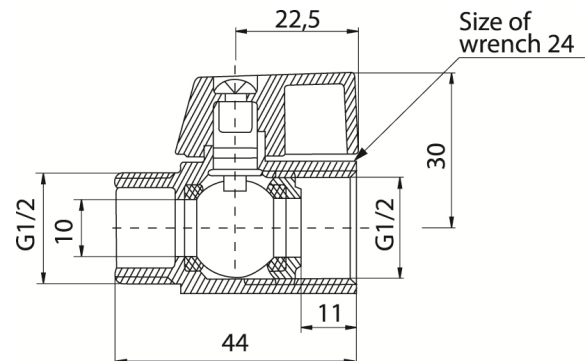


Ball valves MINI

Chrome plated ball valve (female-male vesion)



DN	Code	Dimensions	EAN13
15	1470010	1/2"	5907451926734

Product usage:

In cold and hot water systems and central heating systems as shut off valves

Type:

Straight ball valves

Guarantee:

25-year

Technical data/Operating parameters:

Max pressure: 1,0 MPa,
Max temperature: 95°C

Used materials:

body, nut, ball, stem: brass;
ball seal: PTFE (teflon);
stem seal: EPDM O-ring seal;
lever: aluminum alloy

Finish:

body, nut, ball: chrome