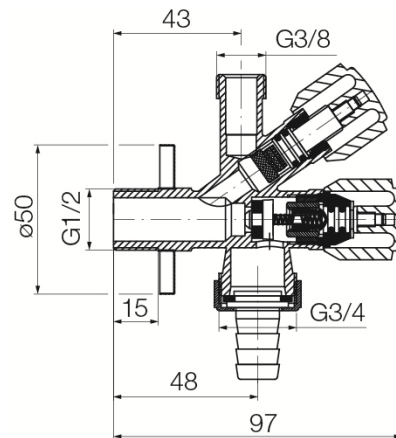


**Angled valve ERGO**

ERGO angle valve 1/2"-3/4"-3/8"



DN	Code	Dimensions	EAN13
	1482100	1/2"-3/8"-3/4"	5907451975978

**Product usage:**

For use in with cold and hot water systems in buildings

**Type:**

Angle valves with slide head

**Guarantee:**

25-year

**Technical data/Operating parameters:**

Max pressure: 1,0 MPa

Max temperature: 80°C

**Used materials:**

body, ball, stem, nu, compression ring: brass;

metal handle, end of hose: ABS

rosette: stainless steal;

**Finish:**

chrome